

Endless Summer®

Portable Outdoor Heater



Owners Manual Manual del Usuario

Model No.
62900



WARNING

FOR YOUR SAFETY

***For Outdoor Use Only
(Outside any enclosure)
Solamente Para Uso En
Exteriores
(Fuera de cualquier recinto)***



WARNING

FOR YOUR SAFETY

***Improper installation,
adjustment, alteration,
service or maintenance
can cause injury or property
damage. Read the installation,
operation and maintenance
instructions thoroughly before
installing or servicing this
equipment.***



WARNING

FOR YOUR SAFETY

If you smell gas -

- 1. Shut off gas to appliance.*
- 2. Extinguish any open flame.*
- 3. If odor continues, contact your gas supplies or fire department*



WARNING

California Proposition 65:

Chemicals known to the state of California to cause cancer, birth defects, or other reproductive harm are created by the combustion of propane.



WARNING

FOR YOUR SAFETY

- 1. Gas leaks may cause a fire or explosion which can cause serious bodily injury or death, or damage to property.*
- 2. You must follow all leak checking procedures as outlined in step 6 before operating this unit.*
- 3. Never use an open flame to check for leaks.*



WARNING

FOR YOUR SAFETY

Do not store or use gasoline or other flammable vapors or liquids in the vicinity of this or any other appliance.



DANGER



CARBON MONOXIDE HAZARD

- This appliance can produce carbon monoxide which has no odor.*
- Using it in an enclosed space can kill you.*
- Never use this appliance in an enclosed space such as a camper, tent, car or home.*

**Contact 1-800-762-1142 for assistance.
Do not return to place of purchase.**

Table of Contents

Safety First! 3

Assembly Instructions

 Hardware & Component Listing 5

 General Components & Features 6

 Additional Requirements 6

 Step 1 Attach Emitter Screen 6

 Step 2 Attach Top Wire Guard 7

 Step 3 Attach Dome to Emitter 7

 Step 4 Attach Dome Cap 7

 Step 5 Gas Hook Up 8

 Step 6 Check for Leaks 9

 Step 7 Install Access Panel 9

 Step 8 Securing Tank 10

Operation

 Before Turning Gas Supply ON 11

 Before Lighting 11

 Lighting 11

 Re-Lighting 12

 Shutdown 12

Operation Checklist 13

Troubleshooting 14

Maintenance 15

Storage 16

Service 16

Warranty 17

Specifications 18



The use and installation of this product must conform to local codes. In absence of local codes, use the National Fuel and Gas Code, ANSI Z223.1/ NFPA 54, Storage and Handling of Liquefied Petroleum Gases, ANSI/NFPA 58 or CSA B149.1, Natural Gas and Propane Installation Code.

Save these instructions for future reference. If you are assembling this unit for someone else, give this manual to him or her to save for future reference.



**Before you do anything else,
read and understand all
precautions in Safety First!**



WARNING FOR YOUR SAFETY

- **Purchaser assumes all risk in the assembly and operation of this unit. Failure to follow this manual's warnings and instructions can result in severe personal injury, death or property damage.**
- **Combustion of propane creates carbon monoxide, which, when used in enclosed areas, can kill you.**
- **Dome is extremely hot to the touch during operation. Never touch the dome while the heater is operating. Wait for unit to cool down (approximately 45 minutes) after use.**
- **Do not use in an explosive atmosphere. Keep heater away from areas where flammable liquids, gasoline, vapors, or explosives are stored or used.**

Safety First!

Read and become familiar with this entire manual, especially the following precautions.

If you are unsure of anything in these instructions, STOP and contact 1-800-762-1142 for assistance.

Caution: This appliance is for outdoor use only (outside any enclosure). Always make sure there is fresh air ventilation.

- Use only outdoors in a well-ventilated space, never use in a building, garage or any other enclosed area.
- Always maintain at least 36" clearance (top) and 24" clearance (side) from combustible materials.
- Always place heater on a hard and level surface.
- Do not use if the wind velocity is greater than 10 miles per hour.
- Unit will operate at reduced efficiency below 40°F (5°C).
- Keep sprinklers and other water sources away from burner and controls.
- **Always use extreme caution when near heater. Alert both children and adults to the hazards of high temperatures, especially to avoid burns or clothing catching fire.**
- **Young children and pets should be carefully supervised when they are in the area of heater.**
- **Do not hang clothing or other flammable materials either on or near heater.**
- **Any guard or other protective device removed for servicing the heater must be replaced prior to operating the heater.**
- Certain materials or items, when stored under heater, will be subjected to radiant heat and could be seriously damaged.
- Do not alter heater in any manner.
- The pressure regulator and hose assembly supplied with the appliance must be used and replacements must be those specified by the manufacturer.
- Inspect heater before each use. If a damaged part is detected, do not operate until an original equipment replacement part has been properly installed. Use of unauthorized parts will void warranty and create an unsafe condition.
- Do not attempt to use this appliance without a functional factory-supplied gas regulator in place. If regulator becomes damaged, use only a factory-supplied replacement.
- Prior to operating heater, replace any guards or protective devices removed for servicing.
- During operation, do not touch burner assembly. The surface of heater's emitter can reach temperatures approaching 1600°F.
- After shutdown, do not touch burner assembly until heater has cooled (approximately 45 minutes after use).

Notice: This product should not be used with any fuel other than liquid propane. Use of other fuels will detract from heaters performance and will void your warranty.

**Contact 1-800-762-1142 for assistance.
Do not return to place of purchase.**

Endless Summer 

Caution: Liquid propane (LP) gas is flammable and hazardous if handled improperly. Become aware of the characteristics before using any LP product.

- LP Characteristics – Flammable, explosive under pressure, heavier than air - settles in pools in low areas.
- In its natural state, propane has no odor. For your safety, an odorant is added that smells like rotten cabbage.
- Contact with LP can cause freeze burns to skin.
- This heater is shipped from the factory for LP gas use only.
- Use only Department of Transportation (DOT) approved “20 lb.” LP gas cylinders (same as those commonly used on gas grills) with Acme / Type 1 / QCC safety valves. These valves can be quickly identified because they have external and internal threads.
- Never use an LP cylinder with a damaged body, valve, collar, or footing.
- Dented or rusted LP cylinders may be hazardous and should be checked by your LP gas supplier.
- The cylinder supply system must be arranged for vapor withdrawal.
- The cylinder used must include a collar to protect the cylinder valve.
- When heater is not in use, turn LP cylinder OFF.
- Always perform a leak test on gas connections whenever a cylinder is connected. Never use a flame to test for leaks. Do not smoke while performing a leak test.

Caution: It is essential to keep the heater’s valve compartment, burners, and circulating air passages clean.

- Spiders and insects can create a dangerous condition that may damage heater or make it unsafe. Keep burner area clean of all spiders, webs, or insects.
- Inspect heater before each use.
- **Have heater inspected annually and repairs should be made by a qualified service person.**
- More frequent cleaning may be required as necessary. It is imperative that control compartment, burners and circulating air passageways of the heater be kept clean.
- Check heater immediately if any of the following conditions exist:
 - The smell of gas in conjunction with extreme yellow tipping of burner flames.
 - Heater does not reach proper temperature.

Note: At temperatures less than 40°F, heat output will be reduced.

- Heater’s glow is excessively uneven
- Burner makes popping noises during use.

Note: A slight pop is normal when burner is extinguished.

- Carbon deposits may create a fire hazard. Keep dome and emitter clean at all times.
- Do not clean heater with combustible or corrosive cleaners. Use warm, soapy water.
- Do not paint engine, engine access panel or dome.

“20 lb.” LP Cylinder



FOR YOUR SAFETY:

Beware of Spiders

Spiders or small insects can get into the burner tube or other openings of your heater, and spin webs or build nests. These obstructions can lead to gas flow problems. It is important to make frequent inspections of these areas and clean them when necessary.

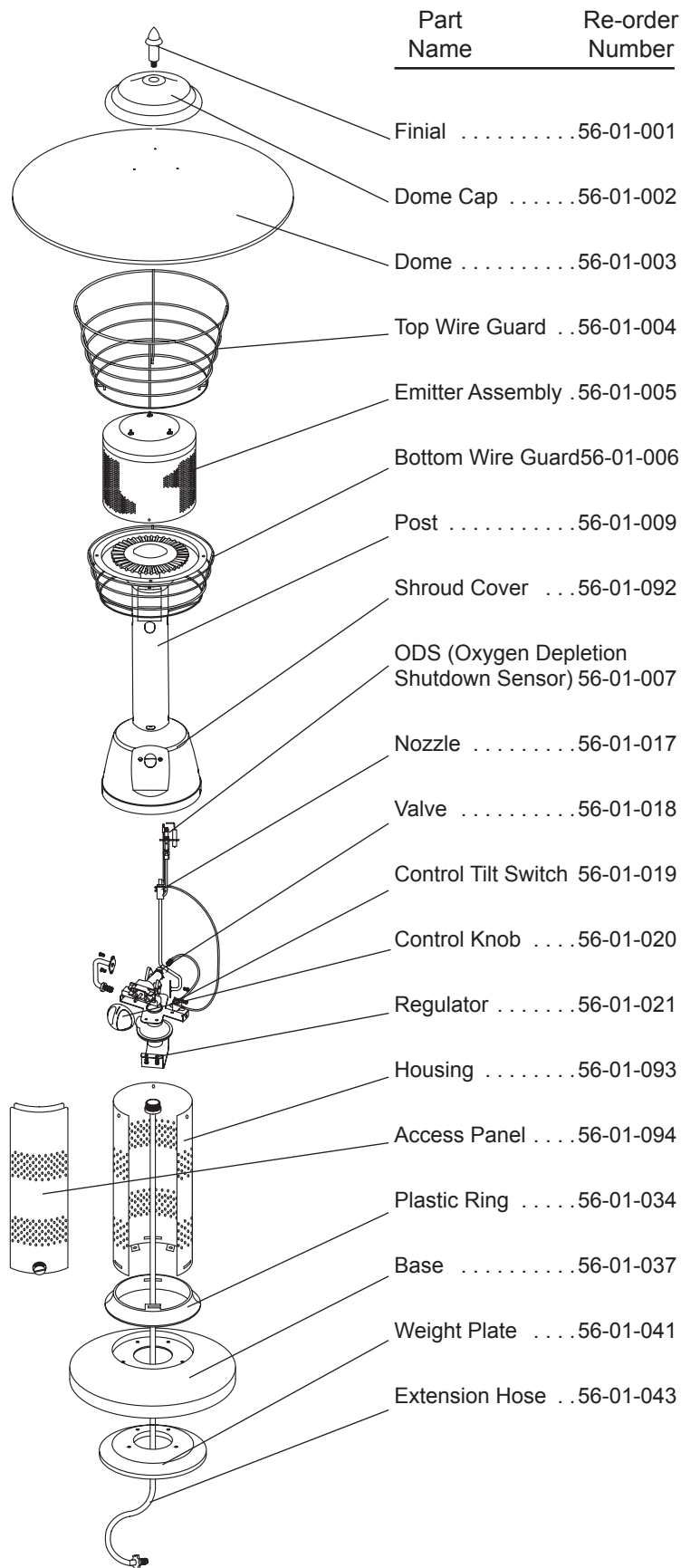
Before operating your heater for the first time, be sure to check for obstructions that may have occurred during shipment.

Need a cylinder or gas?



Try Blue Rhino cylinder exchange service. It's easy, fast, safe, and available at tens of thousands of conveniently located retail outlets nationwide. You can purchase a new full cylinder or exchange your empty for a precision filled one.

For your nearest Blue Rhino retailer visit www.bluerhino.com.

Components



Hardware

Picture	Qty	Description	Used in Step(s)
	4	Medium Screw 12-24 x 5/16" Stainless Steel Philips Head Screw 56-01-045	1
	3	Nut 1/4-20 Stainless Steel Hex Nut 56-01-046	3

**Contact 1-800-762-1142 for assistance.
Do not return to place of purchase.**

Endless Summer 

Assembly Instructions

General Components & Features

Familiarize yourself with all components before proceeding. Refer to page 5 for hardware and components, and page 18 for specifications.

Do NOT attempt assembly unless all components are available. If you believe a component is missing or damaged, contact 1-800-762-1142 for assistance.

Note: All hardware is mounted on a cardboard pack and numbered to match their assembly step.

Additional Requirements

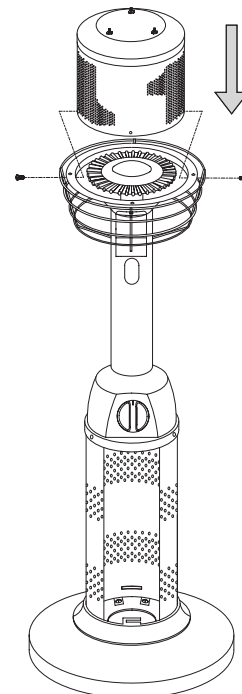
The following items are not included, but are necessary for the proper assembly of your heater. Do NOT attempt to assemble without proper tools.

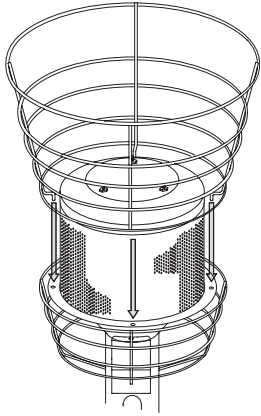
- (1) - 7/16" Wrench
- (1) - #2 Phillips Head Screwdriver
- (1) - Leak Detection Solution (Instructions on how to make solution are included in Step 6)
- (1) - 20 lb.(4-5 gallon) precision filled LP Gas Grill Cylinder

Note: You must follow all steps to properly assemble heater.

Step 1 – Attach Emitter Screen

Line up 4 holes on bottom of Emitter Screen with corresponding holes in Emitter Bottom, and insert (4) Medium Screws in holes until tight.

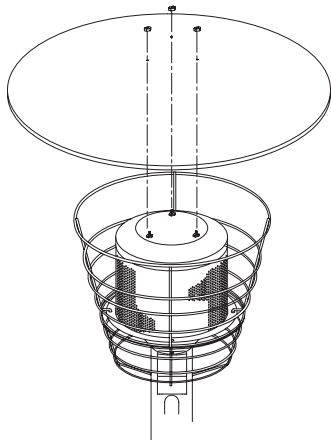




Step 2—Attach Top Wire Guard

Line up 4 prongs on Wire Guard Bottom with 4 holes on Emitter Bottom, and Insert.

Note: It may be necessary to adjust the prongs slightly to line them up with the holes.



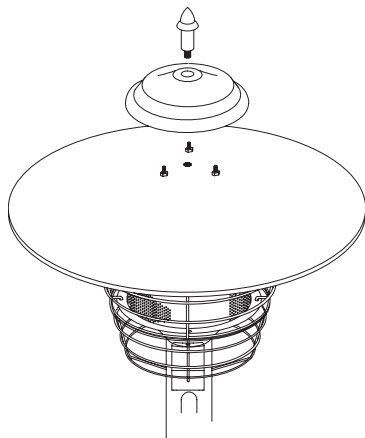
Step 3—Attach Dome to Emitter

Line up three studs in Emitter with holes in Dome. Slide Dome carefully over studs, clamping Top Wire Guard securely in place.

Note: It may be necessary to adjust prongs of the Top Wire Guard slightly to provide a secure fit.

Install (3) Nuts on studs and tighten with 7/16" wrench.

Do not over tighten.



Step 4—Attach Dome Cap

Lay Dome Cap on Dome covering 3 Nuts and line up center holes.

Insert threaded end of Finial through Cap and screw into center of Dome until secure.

**Contact 1-800-762-1142 for assistance.
Do not return to place of purchase.**

Endless Summer 

Step 5 – Gas Hook-up

Note: For best results, use heater with a 20 lb. cylinder.

The pressure regulator and hose assembly supplied with the appliance must be used and replacements must be those specified by the manufacturer.

To connect 20 lb. Cylinder

Slip end of flexible gas line with brass fitting through center hole of Base and up to threaded portion of regulator.

Line up threads on fitting with those on regulator and rotate clockwise until snug. **HAND TIGHTEN ONLY. DO NOT USE ANY HAND TOOLS TO MAKE THIS CONNECTION.** Be careful not to cross threads when screwing in FITTING.

Note: if heater uses center clamp, hose can be routed through opening in base and table.

Set heater on base, making sure that flexible gas line is routed through small slot in base.

Attach gas line to cylinder by turning black plastic knob counter clockwise into cylinder valve until tight.

Note: Be careful not to kink flexible gas line.

When using the gas extension hose always locate the hose out of pathways where people may trip over it or in areas where the hose may be subject to accidental damage.

To connect 14.1 oz or 16.4 oz cylinder

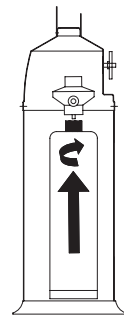
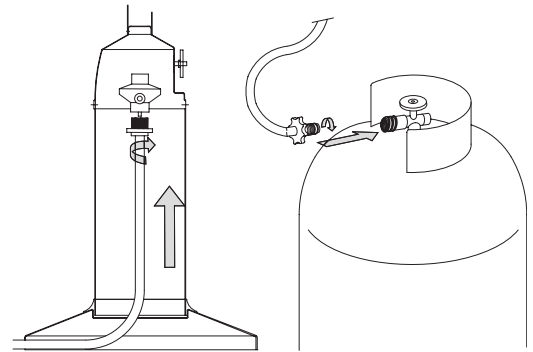
Only cylinders marked “propane” may be used.

Note: Some 1-lb cylinders may form frost when near empty.

Line up threads on canister with those on regulator, insert and rotate canister clockwise until they fit snugly together. **HAND TIGHTEN ONLY.** Be careful not to cross threads when screwing in canister.

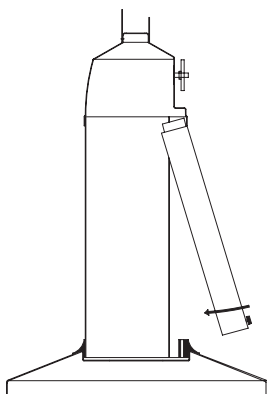
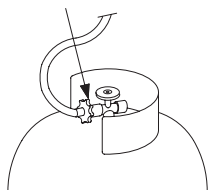
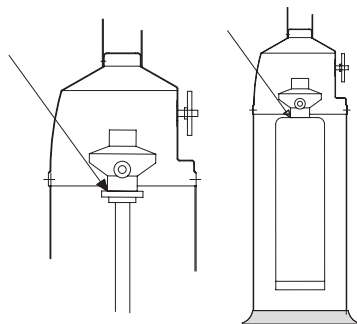
Caution

Before you attempt to use a propane cylinder, understand all cylinder and propane related precautions in Section #1 – “Safety First.”



Caution

Your Endless Summer Portable Heater has been checked at all factory connections for leaks. Recheck all connections, as movement in shipping can loosen connections. Check for leaks even if your unit was assembled for you at the store.



Step 6 – Check for Leaks

To check for leaks:

Make 1-2 oz. of leak solution by mixing one part liquid dishwashing soap and 3 parts water.

Spoon several drops (or use squirt bottle) of the solution onto the regulator/canister connections.

Inspect the connections and look for bubbles

If NO bubbles appear, the connection is safe.

If bubbles appear, there is a leak:

Loosen and re-tighten this connection.

Re-check for a leak.

If you continue to see bubbles after several attempts, disconnect propane source and contact 1-800-762-1142.

Step 7 – Install Access Panel

Slide top tab of Access Panel inside Shroud Cover.

Lower bottom of Panel until closed, and rotate Knob until lock flange rotates inside of slot on plastic ring.

**Contact 1-800-762-1142 for assistance.
Do not return to place of purchase.**

Endless Summer 

Step 8 – Securing the Tank

Mount your 20 lb. cylinder to a sturdy object such as a table or post within 3 to 4 feet of your heater when in use, this will prevent movement or tipping of the cylinder during operation.

The clamp on the cylinder ring will attach to any round pole from 1" to 2" in diameter, or a square post from 1" to 2" square. It will also adapt to various other shapes up to 2" wide.

Determine where to locate your 20 lb. cylinder. Be sure that it is within 2" what you are mounting it to.

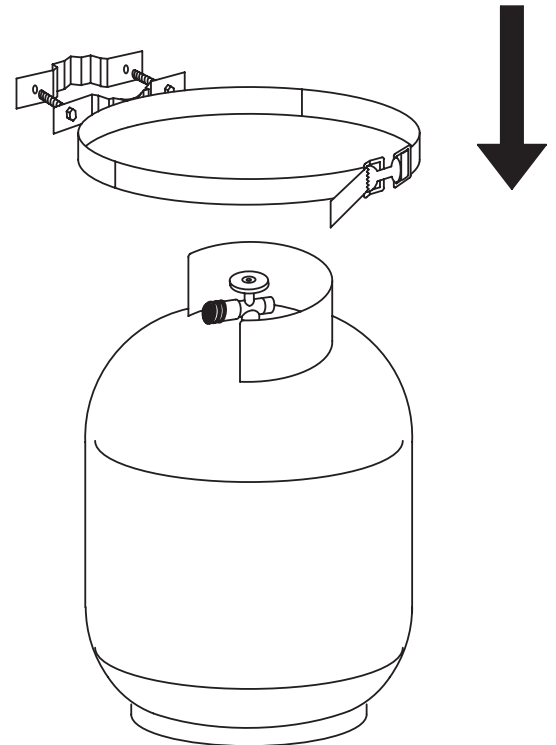
Place the bracket halves around the object and insert the 2" bolts through the open holes in one bracket and into the matching threaded holes in the second bracket. Position bracket within 6" of the middle of the cylinder. Finger tighten bolts.

Slide the 20 lb. cylinder into the curved portion of the bracket, making sure strapping ends are not between cylinder and bracket. Enclose cylinder in strap and securely tighten strap in buckle.

Using a 7/16" wrench, tighten the 2" bolts until they are secure. **DO NOT OVER TIGHTEN.**

In some cases you may wish to secure your cylinder to a larger object or a wall. It is possible to mount the bracket attached to the straps to these surfaces by drilling matching holes and using screws and nuts or lag screws (not provided) to secure your cylinder.

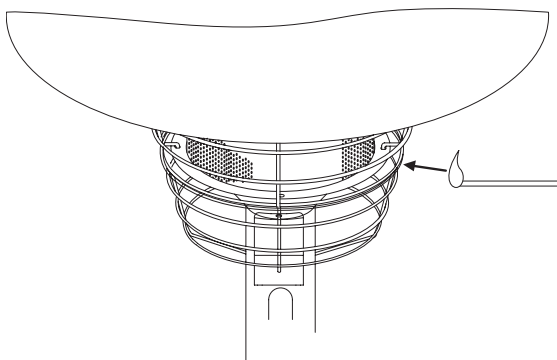
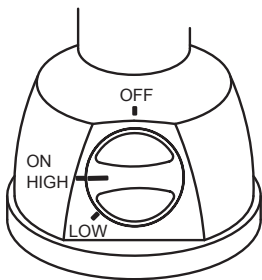
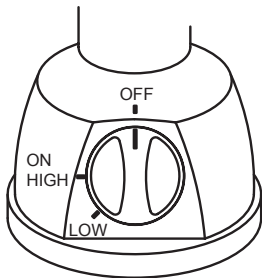
Note: Once you have read "safety first" and successfully completed Steps 1 – 8, you are ready to begin operating your heater.





WARNING
FOR YOUR SAFETY

- **Do NOT attempt to operate heater until you have read and understand all precautions in Section 1 “Safety First.” Failure to do so can result in serious personal injury, death, or property damage.**
- **If at any time you are unable to light burner and smell gas, wait 5 minutes to allow gas to dissipate before attempting to light heater.**
- **Do NOT touch emitter or dome or move heater for at least 45 minutes after use.**



Operation

Inspect the visible portion of the hose before each use of the appliance. Inspect the entire hose assembly at least annually.

Before Turning Gas Supply ON

Your heater was designed and approved for OUTDOOR USE ONLY. DO NOT use it inside a building, garage, or any other enclosed area.

Make sure surrounding areas are free of combustible materials, gasoline, and other flammable vapors or liquids.

Ensure that there is no obstruction to air ventilation.

Be sure all gas connections are tight and there are no leaks.

Be sure the access panel is clear of debris.

Be sure any component removed during assembly or servicing is replaced and fastened prior to starting.

Before Lighting

Heater should be thoroughly inspected before each use, and by a qualified service person at least annually.

If relighting a hot heater, always wait at least 5 minutes for gas to dissipate.

Lighting

1. Turn Gas Control Knob to OFF position.
2. Push in Control Knob and rotate to “ON” position. This will activate the built-in ignitor and light the burner. If necessary, keep depressing and rotating Knob until burner lights.
3. Once burner is lit, hold Control Knob in for at least 30 seconds and release.
4. If burner does not stay lit, turn to “OFF” position and wait 5 minutes and repeat steps 2 and 3.
5. If ignitor does not light burner, use a lit match positioned against the bottom of emitter screen at burner location, and repeat steps 2 & 3.
6. Once burner is lit, rotate Knob to desired heating level.

If you experience any ignition problem, turn off the heater and gas supply, and consult “Troubleshooting” on page 14.

**Contact 1-800-762-1142 for assistance.
Do not return to place of purchase.**

Endless Summer 

Caution: Avoid inhaling fumes emitted from the heater's first use. Smoke and odor from the burning of oils used in manufacturing will appear. Both smoke and odor will dissipate after approximately 30 minutes. The heater should NOT produce thick black smoke.

Note: The burner may be noisy when initially turned on. To eliminate excessive noise from the burner, turn the Control Knob to the LOW position. Then, turn the knob to the level of heat desired.

When heater is ON:

Emitter screen will become bright red due to intense heat. The color is more visible at night.

Burner will display tongues of blue flame. These flames should not be yellow or produce thick black smoke, indicating an obstruction of airflow through the burners.

If yellow flame is detected, turn off heater and gas supply and consult "Troubleshooting" on page 14.

Re-lighting

Note: For your safety, Control Knob cannot be turned ON without first depressing Control Knob in OFF position and then rotating to ON.

1. Turn Gas Control Knob to OFF.
2. Wait at least 5 minutes to let gas dissipate before attempting to relight burner.
3. Repeat the "Lighting" Steps 2 and 3 on prior page.

Shut Down

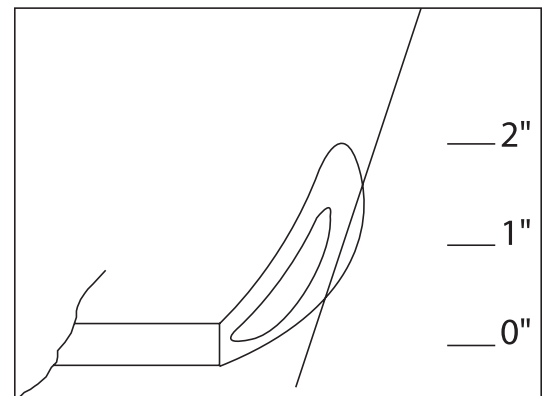
1. Rotate Gas Control Knob to OFF position. Normally, burner will make a slight popping sound when extinguished.
2. Turn off gas at bottle/cylinder.
3. Remove access panel.
4. Unscrew gas line from regulator.
5. Close access panel.

Note: After use, some discoloration of the emitter screen is normal.



WARNING FOR YOUR SAFETY

Be careful when attempting to manually ignite this heater. Holding in the control knob for more than 10 seconds before igniting the gas will cause a ball of flame upon ignition.



Operation Checklist

For a safe and pleasurable heating experience, perform this check before each use.

Before Operating

- I am familiar with entire owner's manual and understand all precautions noted in "Safety First".
- All components are properly assembled, intact and operable.
- No alterations have been made.
- All gas connections are secure and do not leak.
- Wind velocity is below 10 mph.
- Outdoor temperature is greater than 40 degrees F.
- Heater is outdoors (outside any enclosure).
- There is adequate fresh air ventilation.
- Heater is away from gasoline or other flammable liquids or vapors.
- Heater is away from windows, air intake openings, sprinklers and other water sources.
- Always maintain at least 36" clearance (top) and 24" clearance (side) from combustible materials.
- Heater is on a hard and level surface.
- There are no signs of spider or insect nests.
- All burner passages are clear.
- All air circulation passages are clear.
- Children, pets, clothing, flammable materials and items that can be damaged from radiant heat are away from the heater.
- Children and adults in the area have been alerted to the high temperature hazards: especially burns and clothing fires.
- Children and adults in the area have been warned not to touch heater near engine during operation and until unit has cooled.

After Operation

- Gas control is in OFF position.
- Gas tank valve is OFF
- Disconnect Gas line.
- Heater is upright in a secure location.

**Contact 1-800-762-1142 for assistance.
Do not return to place of purchase.**



Troubleshooting

<u>If the problem is:</u>	<u>And this condition exists:</u>	<u>Then do this</u>
Burner won't light	Gas pressure is low	Replace bottle/cylinder or canister
	Blockage in burner openings	Clear blockage
	Blockage in venturi tube	Clean venturi
	Blockage in gas line	Check gas line for blockage
	Control knob is not in ON position	Turn control knob to ON
Burner won't stay lit	Bad thermocouple	Replace ODS
	Corrosion at thermocouple	Clean contact
	Burner flame not touching thermocouple	Contact certified technician
Burner flame is low <i>Note: Heater operates at reduced efficiency below 40°F (5°C)</i>	Gas pressure is low	Turn Control Knob OFF and replace bottle/cylinder or canister
	Outdoor temperature is less than 40°F and tank is less than 1/4 full	Use a full bottle/cylinder or canister
	Control knob fully ON	Check burner and all openings for blockage
Emitter glows uneven	Gas pressure is low	Replace bottle/cylinder or canister
	Heater not level	Level heater
	Burner tilted	Straighten burner
Carbon build-up	Base is not on a level surface	Place heater on a level surface
	Heater is level	Clean burner
	Dirt or film on reflector and emitter	Clean reflector and emitter
Thick black smoke	Blockage in burner	Remove blockage and clean burner inside and outside



WARNING
FOR YOUR SAFETY

- **Do NOT touch or move heater for at least 45 minutes after use.**
- **Dome is hot to the touch.**
- **Allow dome to cool before touching.**

Maintenance

To enjoy years of outstanding performance from your heater, make sure you perform the following maintenance activities on a regular basis:

Inspect the visible portion of the hose before each use of the appliance. Inspect the entire hose assembly at least annually.

Air flow must be unobstructed. Keep controls, burner, and circulating air passageways clean. Signs of possible blockage include:

- Gas odor with extreme yellow tipping of flame.
- Heater does NOT reach the desired temperature.
- Heater glow is excessively uneven.
- Heater makes popping noises.

Spiders and insects can nest in burner or orifices. This dangerous condition can damage heater and render it unsafe for use. Clean burner holes by using a heavy-duty pipe cleaner. Compressed air may help clear away smaller particles.

Carbon deposits may create a fire hazard. Clean dome and emitter with warm soapy water if any carbon deposits develop.

Note: In a salt-air environment (such as near an ocean), corrosion occurs more quickly than normal. Frequently check for corroded areas and repair them promptly.

Keep exterior surfaces clean.

Use warm soapy water for cleaning. Never use flammable or corrosive cleaning agents.

While cleaning your unit, be sure to keep the area around the burner and pilot assembly dry at all times. Do not submerge the control valve assembly. If the gas control is submerged in water, do NOT use it. It must be replaced.

TIP:

Use high-quality automobile wax to help maintain the appearance of your heater. Apply to exterior surfaces from the pole down. Do not apply to emitter screen or domes.

**Contact 1-800-762-1142 for assistance.
Do not return to place of purchase.**

Endless Summer 

Storage

Between uses:

Turn Control Knob OFF.

Disconnect LP source.

Store heater upright in an area sheltered from direct contact with inclement weather (such as rain, sleet, hail, snow, dust and debris).

If desired, cover heater to protect exterior surfaces and to help prevent build up in air passages.

Note: Wait until heater is cool before covering.



WARNING FOR YOUR SAFETY

Never attempt to refill disposable canister. Refilling may cause explosion. To discard, contact local refuse hauler or recycle center.

Do not puncture or incinerate.

During periods of extended inactivity or when transporting:

Turn Control Knob OFF.

Disconnect LP source and move to a secure, well-ventilated location outdoors.

Store heater upright in an area sheltered from direct contact with inclement weather (such as rain, sleet, hail, snow, dust and debris).

If desired, cover heater to protect exterior surfaces and to help prevent build up in air passages.

Never leave LP cannister exposed to direct sunlight or excessive heat.

Note: Wait until heater is cool before covering.

Service

To learn how to service and procure parts for worn out, defective or damaged components contact 1-800-762-1142 for assistance or e-mail CustomerService@BlueRhino.com. Please supply model number and serial ID number for best service support. These numbers can be found on a label on the rear of the Valve Housing.

Caution: Use only original equipment replacement parts. Use of unauthorized parts or modification of parts will void warranty and create an unsafe condition.

Caution: Always allow heater to cool before attempting service.

Warranty

Blue Rhino Global Sourcing, LLC (“Vendor”) warrants to the original retail purchaser of this heater, and to no other person, that if this heater is assembled and operated in accordance with the printed instructions accompanying it, then for a period of two (2) years from the date of purchase, all parts in such heater shall be free from defects in material and workmanship. Vendor may require reasonable proof of your date of purchase. Therefore, you should retain your sales slip or invoice. This Limited Warranty shall be limited to the repair or replacement of parts, which prove defective under normal use and service and which Vendor shall determine in its reasonable discretion upon examination to be defective. Before returning any parts, you should contact Vendor’s Customer Service Department using the contact information listed below. If Vendor confirms, after examination, a defect covered by this Limited Warranty in any returned part, and if Vendor approves the claim, Vendor will replace such defective part without charge. If you return defective parts, transportation charges must be prepaid by you. Vendor will return replacement parts to the original retail purchaser, freight or postage prepaid.

This Limited Warranty does not cover any failures or operating difficulties due to accident, abuse, misuse, alteration, misapplication, improper installation or improper maintenance or service by you or any third party, failure to perform normal and routine maintenance on the heater, shipping damage, normal adjustment to burner, damage or repairs related to insects, birds, or animals of any kind, and damage due to weather conditions as set out in this owner’s manual. In addition, the Limited Warranty does not cover damage to the finish, such as scratches, dents, discoloration, rust or other weather damage, after purchase.

This Limited Warranty is in lieu of all other express warranties. Vendor disclaims all warranties for products that are purchased from sellers other than authorized retailers or distributors, including the warranty of merchantability or the warranty of fitness for a particular purpose. **VENDOR ALSO DISCLAIMS AND ANY ALL IMPLIED WARRANTIES, INCLUDING WITHOUT LIMITATION THE IMPLIED WARRANTIES OF MERCHANTABILITY AND FITNESS FOR A PARTICULAR PURPOSE. VENDOR SHALL HAVE NO LIABILITY TO PURCHASER OR ANY THIRD PARTY FOR ANY SPECIAL, INDIRECT, PUNITIVE, INCIDENTAL, OR CONSEQUENTIAL DAMAGES.** Vendor further disclaims any implied or express warranty of, and assumes no responsibility for, defects in workmanship caused by third parties. This Limited Warranty gives the purchaser specific legal rights; a purchaser may have other rights depending upon where he or she lives. Some jurisdictions do not allow the exclusion or limitation of special, incidental or consequential damages, or limitations on how long a warranty lasts, so the above exclusion and limitations may not apply to everyone.

Vendor does not authorize any person or company to assume for it any other obligation or liability in connection with the sale, installation, use, removal, return, or replacement of its equipment, and no such representations are binding on Vendor.

Blue Rhino Global Sourcing, LLC
104 Cambridge Plaza Drive
Winston-Salem, North Carolina 27104 USA
(800) 762-1142
24 Hour Fax: (336) 659-6743
CustomerService@BlueRhino.com

**Contact 1-800-762-1142 for assistance.
Do not return to place of purchase.**

Endless Summer 

Specifications

Certifications:

CSA International Requirement 5.90 (5th Ed.)
Canadian National Standard CAN1-2.23-M82

Rating:

Maximum 11,000 BTU/hr. input

Heat Range:

Up to 10 foot diameter

Fuel:

Liquid Propane Gas (LP)

Cylinder Size:

Nominal 20 lb / 5 Gallon
OR
14.1 oz. (400 grams)
16.4 oz. (465 grams)

Inlet gas supply pressure:

Maximum – 150 PSI
Minimum – 5 PSI

Manifold Pressure:

11.00 in. W.C.

Supply Pressure:

0.41 psig (11.00 in. W.C.)

Engine:

IPP E8

Safety Features:

Oxygen Depletion Sensor (ODS) shutdown system
100% Burner shut-off
Tilt Switch

Manufacturer:

Blue Rhino Global Sourcing, LLC

Made In:

China



ADVERTENCIA

PARA SU SEGURIDAD

Si huele a gas -

- 1. Cierre la entrada de gas al aparato.*
- 2. Apague cualquier llama activa.*
- 3. Si el olor persiste, póngase en contacto con su suministrador de gas o con el departamento de bomberos.*



ADVERTENCIA

Proposición del estado de California N° 65:

Existen productos químicos que el Estado de California reconoce como causantes de Cáncer, Defectos Congénitos o cualquier otro Daño durante la Reproducción Creados por la Combustión del Propano.



ADVERTENCIA

PARA SU SEGURIDAD

- 1. Las fugas de gas pueden provocar un fuego o una explosión, que pueden causar heridas personales de gravedad o la muerte, así como daños a la propiedad.*
- 2. Debe seguir todos los procedimientos de comprobación de fugas, tal y como se describen en el paso 6, antes de utilizar esta unidad.*
- 3. No utilice nunca una llama abierta para comprobar si hay fugas.*



ADVERTENCIA

PARA SU SEGURIDAD

No almacene ni utilice gasolina, ni cualquier otro gas o líquido inflamable cerca de éste o de cualquier otro aparato.



PELIGRO



CARBON MONOXIDE HAZARD

- Esta unidad puede producir Monóxido de Carbono, un gas inodoro.*
- El usarla en un espacio cerrado puede ser fatal.*
- Nunca use esta unidad en un espacio cerrado como en un campero, tolda, vehículo o en la casa.*

Indice

¡La Seguridad, lo Primero! 3

Instrucciones de montaje

 Lista de componentes y equipo 5

 Componentes generales y características 5

 Requisitos adicionales 6

 Paso 1 Fijar la malla del conjunto de emisión de calor 6

 Paso 2 Acoplar la protección de alambre superior 7

 Paso 3 Acoplar la cúpula al conjunto de emisión de calor 7

 Paso 4 Fijar la tapa de la cúpula 7

 Paso 5 Conexión de gas 8

 Paso 6 Comprobar si hay fugas 9

 Paso 7 Instalar el panel de acceso 9

 Paso 8 Asegurar la bombona 10

Operación

 Antes de activar la alimentación de gas (ON) 11

 Antes del encendido 11

 Encendido 11

 Reencendido 12

 Apagado 12

Lista de control de operaciones 13

Resolución de problemas 14

Mantenimiento 15

Almacenamiento 16

Servicio 16

Garantía 17

Especificaciones 18



El uso e instalación de este producto debe obedecer todos los códigos locales. Si no existen códigos locales, use los siguientes: Código Nacional para Gas y Combustibles, ANSI Z223.1/NFPA 54, Manejo y Almacenamiento de Gases Licuados de Petróleo, ANSI/NFPA 58 o CSA B149.1, Código de Instalación de Propano y Gas Natural.

Conserve estas instrucciones para futuras consultas. Si está montando esta unidad para otra persona, entréguele este manual para futuras consultas.



Antes de hacer nada más, lea y comprenda todas las instrucciones en ¡La Seguridad, lo Primero!



ADVERTENCIA

PARA SU SEGURIDAD

- **El comprador asume todos los riesgos derivados del montaje y funcionamiento de esta unidad. No seguir las advertencias e instrucciones incluidas en este manual puede provocar lesiones personales de gravedad, la muerte o daños a la propiedad.**
- **La combustión de propano produce monóxido de carbono, por lo tanto, cuando la unidad se usa en áreas cerradas el gas puede ser mortal.**
- **Durante la operación, la cúpula se calienta extremadamente. Nunca toque la cúpula cuando el calentador está funcionando. Espere que la unidad se enfríe (alrededor de 45 minutos después de su uso).**
- **No utilice el equipo en una atmósfera explosiva. Mantenga el calentador lejos de lugares en los que se almacenen o utilicen líquidos inflamables, gasolina, vapor.**

¡La Seguridad, lo Primero!

Lea y familiarícese con los contenidos de este manual, especialmente con las siguientes precauciones.

Si no está seguro de nada de lo indicado en estas instrucciones, DETÉNGASE y llame al número de teléfono 1-800-762-1142 para solicitar asistencia técnica.

Precaución: Este aparato está pensado únicamente para su uso en exteriores (fuera de cualquier recinto). Asegúrese siempre de que hay una ventilación de aire adecuada.

- Instrucciones relacionadas con la advertencia de que esta unidad debe usarse en espacios abiertos únicamente, donde exista buena ventilación, y que no debe usarse en el interior de una edificación, garaje o cualquier otra área cerrada.
- Mantenga siempre un mínimo de 91 cm de separación por encima del aparato y 61 cm de cada lado con cualquier material combustible.
- Coloque siempre el calentador sobre una superficie dura y nivelada.
- No utilice el aparato si la velocidad del viento es superior a los 16 km/h.
- Si la temperatura es inferior a los 5° C (40 °F), el calentador tendrá un rendimiento menor.
- Mantenga lejos del quemador y de los controles los aspersores y cualquier otra salida de agua.
- **Extreme las precauciones cuando se encuentre cerca del calentador. Alerta tanto a niños, como a adultos, sobre los peligros de las altas temperaturas, en especial para evitar quemaduras o que sus prendas puedan arder.**
- **Deberá prestarse una atención especial a los niños pequeños y las mascotas cuando se encuentren cerca del calentador.**
- **No cuelgue ropa o cualquier otro material inflamable sobre el calentador o cerca de él.**
- **Antes de iniciar el funcionamiento del calentador, vuelva a colocar cualquier dispositivo de seguridad o de protección que hayan sido retirados para efectuar una revisión.**
- Ciertos materiales u objetos, si se colocan debajo del calentador, estarán sujetos al calor irradiado y pueden resultar seriamente dañados.
- No altere el calentador de ninguna forma. Esto anularía su garantía.
- El regulador de presión y el conjunto de manguera incluidos con la unidad deben usarse siempre, y cuando sea necesario reemplazarlos, los repuestos deben ser los que especifica el fabricante.
- Debe utilizarse el regulador de presión y el conjunto de mangueras incluidos con el aparato; y los recambios deberán ser aquellos especificados por el fabricante.
- Examine cuidadosamente el calentador de exteriores y su manguera de extensión antes de cada uso de la unidad. Si se detecta una pieza dañada, no encienda el aparato hasta que se haya instalado adecuadamente una pieza de recambio original. El uso de piezas no autorizadas anulará su garantía y provocará una situación de riesgo.
- No intente utilizar este aparato sin un regulador de gas en buen estado, suministrado por el fabricante e instalado adecuadamente. Si el regulador se avería, utilice únicamente un repuesto suministrado por el propio fabricante.
- Antes de iniciar el funcionamiento del calentador, vuelva a colocar cualquier dispositivo de seguridad o de protección que hayan sido retirados para efectuar una revisión.
- Durante el funcionamiento, no toque el conjunto del quemador. La superficie del emisor del calentador puede alcanzar temperaturas próximas a los 870° C (1600° F).

**Si necesita ayuda llame al 1-800-762-1142
No devuelva el artículo al lugar de compra**

Endless Summer 

- Tras apagar el equipo, no toque el conjunto del quemador ni la cúpula hasta que el calentador se haya enfriado (aproximadamente 45 minutos después de su uso).

Aviso: Este producto no debería utilizarse con ningún otro combustible que no sea propano líquido. La utilización de otros combustibles disminuirá el rendimiento de los calentadores y anulará su garantía.

Precaución: El propano líquido (PL) es inflamable y resulta peligroso si se manipula inadecuadamente. Antes de utilizar cualquier producto que emplee PL, estudie detenidamente sus características.

- Características del PL – Inflamable, explosivo bajo presión, más pesado que el aire, se almacena en estanques en zonas bajas.
- En su estado natural, el propano no tiene ningún olor. Para su seguridad, se añade una esencia odorífera que huele a col podrida.
- El contacto directo con PL puede causar quemaduras frías en la piel.
- Este calentador sale de fábrica únicamente para su uso con gas PL.
- Utilice únicamente bombonas de gas PL de 9 kg (20 lb.) aprobadas por el Departamento de Transporte (DOT) (las mismas que se suelen utilizar en las parrillas de gas) con válvulas de seguridad Acme /Tipo 1 / QCC. Estas válvulas pueden identificarse rápidamente porque tienen roscas externas e internas.
- No utilice nunca una bombona de PL si el cuerpo, la válvula, el collar o el anillo inferior presentan algún daño.
- Las bombonas de PL abolladas u oxidadas pueden ser peligrosas y deberían ser revisadas por su proveedor de gas PL.
- Cuando se usa una bombona de gas de 20 libras (9 kg), se debe preparar el sistema de alimentación de la bombona para facilitar la salida de vapores.
- Cuando se usa una bombona de gas de 20 libras (9 kg), la botella debe incluir un collar para proteger la válvula de la botella.
- Cuando el calentador no se está utilizando, cierre la válvula de control (OFF).
- Realice siempre una comprobación de fugas en las conexiones de gas cuando se conecte una nueva bombona. No utilice nunca una llama para comprobar la presencia de fugas. No fume mientras realiza una comprobación en busca de fugas.

Precaución: Es fundamental mantener limpio el compartimento de la válvula del calentador, los quemadores y los conductos de aire circulante.

- Las arañas y los insectos pueden causar una situación peligrosa que puede dañar el calentador o hacer que su funcionamiento no sea seguro. Mantenga el área de los quemadores limpia de arañas, telas de araña o insectos.
- Revise el calentador antes de cada uso.
- **Haga inspeccionar anualmente el calentador de exteriores y realizar las reparaciones que sean necesarias, por un técnico de servicio calificado.**

- Compruebe el calentador inmediatamente si aparece alguno de los siguientes problemas:

- El olor a gas junto con unas llamas con puntas muy amarillas en el quemador.

- El calentador no alcanza la temperatura adecuada.

Nota: A temperaturas inferiores a los 5° C, la salida de calor se reducirá.

- El resplandor de la llama del calentador es muy desigual
- El quemador hace unos ruidos de estallido durante su uso.

Nota: Es normal oír un ligero estallido cuando se apaga el quemador.

- Los depósitos de carbonilla puede causar un riesgo de fuego. Mantenga limpios en todo momento la cúpula y el emisor.
- No limpie el calentador con limpiadores combustibles o corrosivos. Utilice agua templada y jabonosa.
- No pinte el motor, el acceso al motor o la cúpula.

Bombona de PL de 9 kg



PARA SU SEGURIDAD:

Tenga cuidado con las arañas

Las arañas o los insectos pequeños pueden entrar en el tubo del quemador o en cualquier otra abertura de su calentador, y tejer sus redes o construir sus nidos.

Estas obstrucciones pueden producir problemas en el flujo del gas. Es importante realizar revisiones frecuentes en estas áreas y límpielas cuando sea necesario.

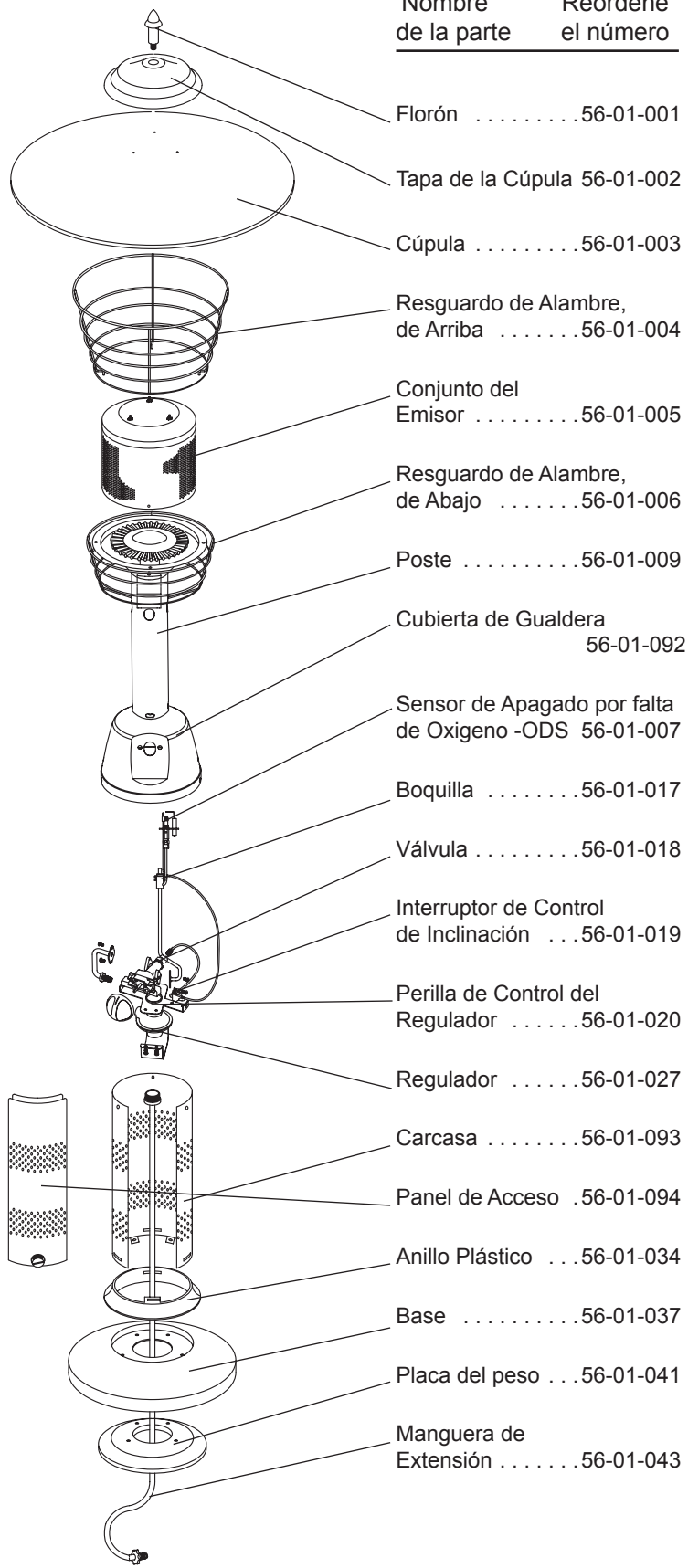
Antes de poner en funcionamiento su calentador por primera vez, asegúrese de comprobar si hay obstrucciones que puedan haberse producido durante el transporte.

¿Necesita una bombona de gas?



Pruebe el servicio de intercambio de bombonas de Blue Rhino. Es sencillo, rápido, seguro y está disponible en decenas de miles de puestos de venta a lo largo de todo el país.

Puede comprar una nueva bombona llena o cambiar su bombona vacía por una llena. Para saber dónde se encuentra su distribuidor Blue Rhino más cercano, visite www.bluerhino.com

Componentes



Ferretería

Imagen	Cant.	Descripción	Usado en Paso
	4	Tornillo mediano Tornillo de cabeza abombada Phillips de acero inoxidable 12"-24 x 5/16" 56-01-045	1
	3	Tuerca Tuerca hexagonal de acero inoxidable 1/4" - 20 56-01-046	3

Instrucciones de montaje

Componentes Generales y Características

Familiarícese con todos los componentes antes de iniciar el funcionamiento del equipo. Consulte la página 5 para ver los componentes y la tornillería del aparato, y la página 18 para las especificaciones.

NO intente su montaje si no tiene a su disposición todos los componentes. Si cree que falta un componente o que alguno puede estar dañado, llame al número de teléfono 1-800-762-1142 para solicitar asistencia técnica.

Nota: Todas las piezas de ferretería vienen incluidas pegadas a una ficha de cartón y llevan todas un número correspondiente a un paso específico para su ensamblaje.

Requisitos adicionales

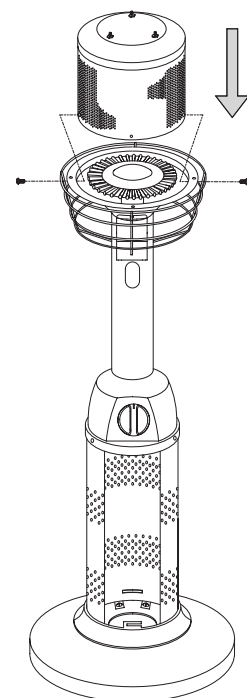
Los siguientes elementos no están incluidos, pero son necesarios para el correcto montaje de su calentador. No intente el montaje del equipo sin las herramientas adecuadas.

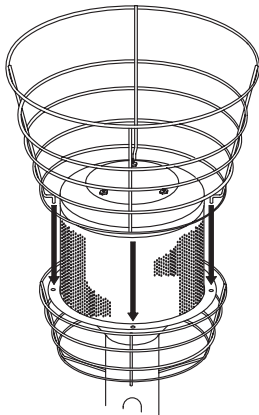
- (1) Llave de 7/16" (11 mm)
- (1) Destornillador de punta de estrella #2
- (1) Solución para la detección de fugas (Las instrucciones sobre cómo elaborar la solución se incluyen en el paso 6)
- (1) Bombona de parrilla de gas de PL de 20 libras (9 kg) con recarga de precisión (tamaño de 11 a 15 litros o sea de 4 a 5 galones)

Nota: Debe seguir todos los pasos para montar el calentador de un modo adecuado.

Paso 1: Fijar la malla del conjunto de emisión de calor

Haciendo coincidir los 4 agujeros de abajo de la Malla del Conjunto de Emisión de Calor con los agujeros correspondientes en la parte Inferior del Conjunto de Emisión de Calor, inserte (4) Tornillos Medianos y apriételes hasta que queden seguros

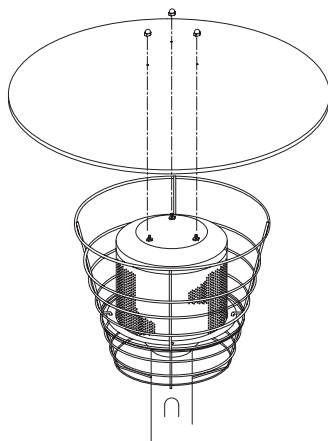




Paso 2: Acoplar la protección de alambre superior

Introduzca los 4 pasadores de la Protección de Alambre Inferior en los 4 agujeros de la parte de abajo del Conjunto de Emisión de Calor.

Nota: Puede ser necesario ajustar ligeramente los pasadores para hacerlos coincidir con los agujeros.

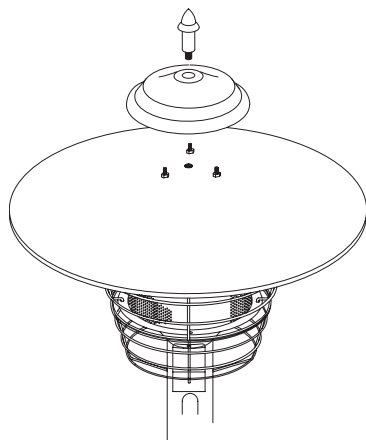


Paso 3: Acoplar la cúpula al conjunto de emisión de calor

Haga coincidir los 3 pernos en el conjunto de Emisión de Calor con los agujeros en la Cúpula. Deslice cuidadosamente la Cúpula sobre los pernos, asegurando la Protección de Alambre Superior firmemente en su lugar.

Nota: Puede ser necesario ajustar ligeramente los pernos de la Protección de Alambre Superior, para obtener un ajuste seguro.

Instale (3) Tuercas en los pernos y apriételas con una llave de 7/16". No las apriete demasiado.



Paso 4: Fijar la tapa de la cúpula

Ponga la tapa sobre la cúpula haciendo coincidir los 3 pernos con los agujeros.

Inserte el extremo roscado del Florón a través de la Tapa y atorníllelo en el centro de la Cúpula hasta que quede seguro.

Paso 5: Conexión de Gas

Nota: Para obtener los mejores resultados use una bombona de 9 kg.

El regulador y el conjunto de manguera que vienen con la unidad deben usarse siempre y sus reemplazos deben ser los que el fabricante especifica.

Para conectar la bombona de gas de 20 lbs (9 kg).

Pase el extremo de la línea flexible de suministro de gas con el accesorio de bronce a través de la abertura central de la Base y conéctelo a la parte roscada del regulador.

Ponga en línea la rosca del accesorio con la rosca del regulador y conéctelas girando el accesorio en la dirección de las manecillas del reloj. **APRIETE A MANO UNICAMENTE. NO USE NINGUNA CLASE DE HERRAMIENTA PARA HACER ESTA CONEXION. TENGA CUIDADO DE NO DAÑAR LAS ROSCAS AL ENROSCAR EL ACCESORIO.**

Nota: Si el calentador usa el apoyo del centro de la mesa, la manguera puede pasarse a través de la abertura en la base y en la mesa.

Coloque el calentador sobre la base, verificando que la línea flexible del gas queda pasando por la abertura pequeña de la base.

Conecte el elemento de plástico negro de la línea del gas a la válvula de la bombona, haciéndolo girar en la dirección contraria a las manecillas del reloj, sobre la válvula, hasta que la conexión quede debidamente apretada.

Nota: Tenga cuidado de no doblar la línea flexible del gas.

Cuando use la extensión de la manguera de gas, ubíquela siempre fuera del lugar de paso de la gente y donde no ocasione tropezones o no esté expuesta a daños accidentales.

Para conectar cartuchos o cilindros de 400 o 465 gramos

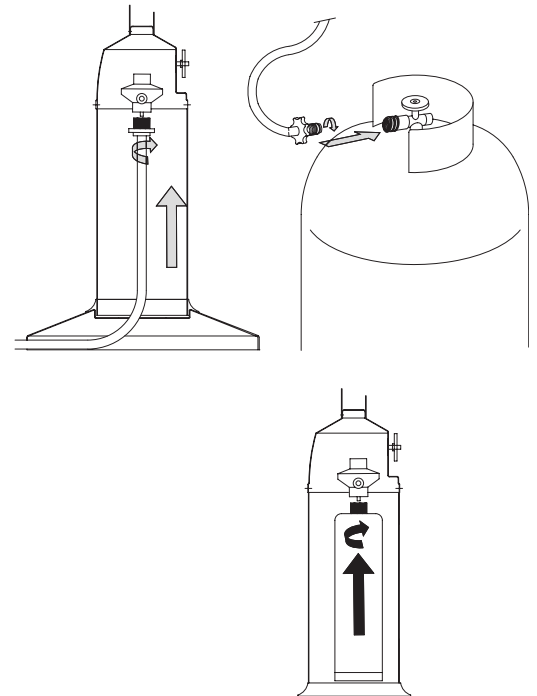
Use únicamente cilindros o garrafas de gas marcados "propano".

Nota: Algunos cartuchos o cilindros de gas de 453 gramos pueden forma "escarcha" cuando están casi vacíos.

Alinee la rosca en el cartucho con la rosca en el regulador e inserte y gire el cartucho en la dirección de las manecillas del reloj hasta que queden conectados firmemente. **APRIETE LA CONEXION CON LA MANO UNICAMENTE.** Tenga cuidado de no dañar las roscas cuando atornilla el cartucho.

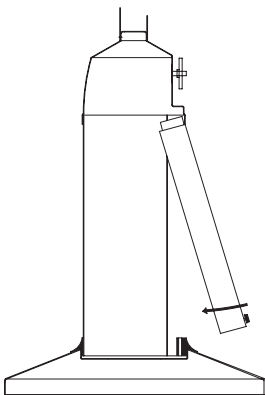
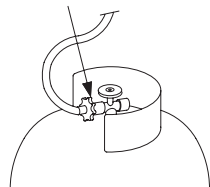
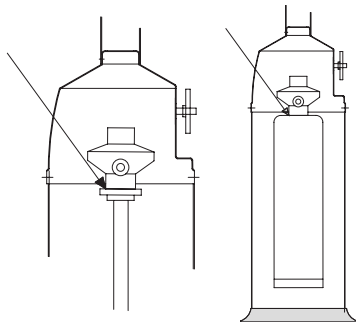
Precaución:

Antes de tratar de usar un cilindro de propano, familiarícese completamente con todas las precauciones relacionadas con el cilindro y el propano, que encuentra en la Sección #1 - "La Seguridad, lo Primero"



Precaución:

Su Calentador Portátil Endless Summer ha sido comprobado en fábrica y no se detectaron fugas. Vuelva a comprobar todas las conexiones, ya que el movimiento generado por el transporte puede aflojar las conexiones. Compruebe si hay fugas incluso si su unidad fue montada para usted en la tienda.



Paso 6: Comprobar si hay fugas

Para comprobar si hay fugas:

Prepare unos 28-56 g (1-2 oz.) de solución para comprobar si hay fugas mezclando una parte de jabón líquido para lavar platos y tres partes de agua.

Vierta varias gotas de la solución en la línea de gas y en la conexión de la válvula de control.

Revise la solución en la conexión en busca de burbujas.

Si NO aparecen burbujas, la conexión es segura.

Si aparecen burbujas, hay una fuga –

Afloje esta conexión y vuelva a apretarla.

Afloje el tornillo de la grapa.

Compruebe esta conexión de nuevo.

- Si sigue observando burbujas después de varios intentos, llame al número de teléfono 1-800-762-1142 para solicitar asistencia técnica.

Paso 7: Instalar el panel de acceso

Inserte la lengüeta de arriba del Panel de Acceso dentro de la Cubierta de Gualdera.

Baje la parte inferior del Panel hasta que cierre, y gire la perilla hasta que la aleta del cierre gire dentro de la abertura del anillo plástico.

Paso 8: Asegurar la bombona

Monte la bombona de 20 libras (9kg) sobre un apoyo fuerte, tal como una mesa o un poste, a unos 90 cm o 1,2 m de distancia del sitio donde desea usar el Calentador. Así, evitará que el cilindro se mueva o incline durante la operación del Calentador.

La abrazadera en el anillo del cilindro puede fijarse en cualquier poste redondo de 2, 5 y 5 cm de diámetro o en un poste cuadrado de 2,5 a 5 cm de lado. También puede adaptarse a varias otras secciones de poste hasta de hasta 5 cm de ancho.

Determine en que lugar desea colocar el cilindro de 9 kg. Asegúrese que queda dentro de 5 cm del sostén en el que estará montado el cilindro.

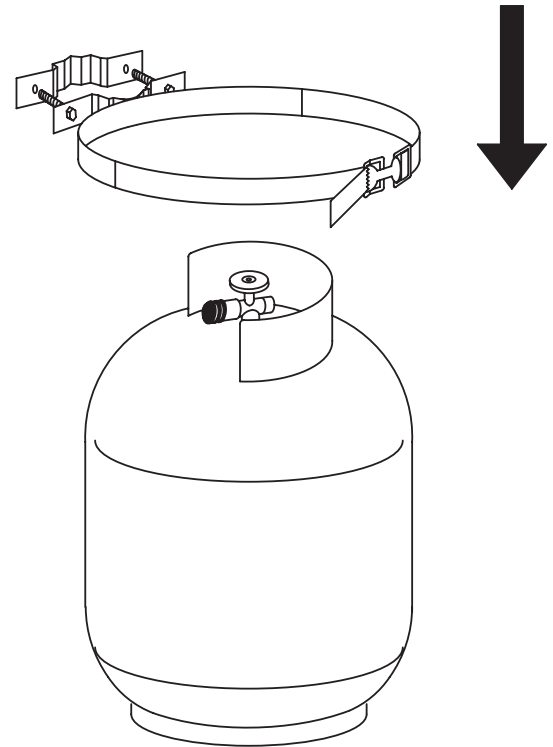
Coloque las mitades de la abrazadera alrededor del poste e inserte los pernos de 5 cm a través de las perforaciones en una mitad para pasarlos luego por las perforaciones correspondientes de la otra mitad de la abrazadera. Coloque la abrazadera en una franja de unos 15 cm en la mitad del cilindro. Apriete a mano los pernos.

Ponga el cilindro de 9 kg en la parte curva de la banda de retención, asegurándose de que los extremos no quedan ubicados entre el cilindro y el poste de apoyo. Ponga la banda alrededor del cilindro y asegúrela firmemente en la hebilla.

Utilizando una llave de 7/16" (11 mm) apriete los dos pernos hasta que quedan seguros. **PERO NO LOS APRIETE DEMASIADO.**

En algunos casos puede ser necesario asegurar el cilindro en un objeto más grande o fijarlo contra una pared. Es posible montar la abrazadera junto con la banda en este tipo de superficie, haciendo las perforaciones correspondientes y usando tornillos y tuercas o tornillos empotrados o de tirafondo (que no vienen incluidos) para asegurar el cilindro.

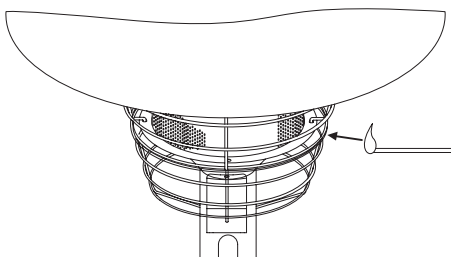
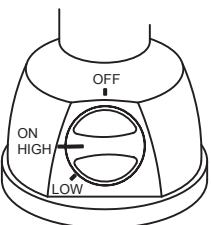
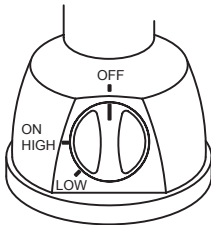
Nota: Una vez que ha leído la sección "La Seguridad, lo Primero" y ha terminado satisfactoriamente los Pasos 1 a 8 usted estará listo para operar el calentador.





ADVERTENCIAS **PARA SU SEGURIDAD**

- **NO trate de operar el calentador hasta no haber leído y entendido claramente las precauciones indicadas en la sección 1 “Seguridad Ante Todo”. El no hacerlo puede ocasionar serias lesiones personales, aún la muerte, o daños materiales.**
- **Si en cualquier momento no puede encender el quemador y percibe un olor a gas, espere 5 minutos para permitir que el gas se disipe antes de tratar de encender nuevamente el calentador.**
- **NO toque el conjunto de emisión de calor o la cúpula o trate de mover el calentador sino hasta después de 45 minutos de haberlo usado.**



Operación

Antes de activar la alimentación de gas (ON)

Su calentador ha sido diseñado y autorizado ÚNICAMENTE PARA SU USO EN EXTERIORES. NO lo utilice en el interior de un edificio, garaje, o cualquier otra zona cerrada.

Asegúrese de que el área circundante está libre de materiales combustibles, gasolina o cualquier otro vapor o líquido inflamable.

Asegúrese que no hay ninguna obstrucción en la ventilación del aire.

Asegúrese de que todas las conexiones de gas están apretadas y de que no hay fugas.

Asegúrese de que el panel de acceso está libre de suciedad.

Asegúrese de que todos los componentes retirados durante el montaje o reparación vuelven a colocarse en su sitio antes de la puesta en marcha.

Antes del encendido

El calentador debería ser revisado meticulosamente antes de cada uso, así como una vez al año por parte de un técnico cualificado.

Para volver a encender un calentador caliente, espere siempre cinco minutos como mínimo para que se disipe el gas.

Encendido

1. Gire el Botón de Control de Gas a la posición “OFF” (APAGADO).
2. Presione el Botón de Control de Gas y gírelo a la posición “ON” - (ENCENDIDO). Esto encenderá el quemador. Si es necesario, continúe oprimiendo el botón y girándolo hasta que el quemador se encienda.
3. Una vez que el quemador se ha encendido mantenga el Botón de Control de Gas deprimido por lo menos por 30 segundos, y luego, suéltelo.
4. Si el quemador no se mantiene encendido, espere 5 minutos y repita los pasos 2 y 3.
5. Si el elemento de Ignición no enciende el quemador, use una cerilla encendida y colóquela contra la parte de debajo de la rejilla del emisor a la altura del quemador.
6. Una vez que el quemador enciende, gire la perilla al nivel de calentamiento deseado.

Si tiene cualquier problema con el encendido de la unidad, apague – “OFF” - el calentador y el suministro de gas y consulte la sección “Resolución de Problemas” en la página 12.

Precaución: Evite inhalar los humos emitidos durante el primer uso del calentador. Aparecerán humos y olores provenientes de la combustión de los aceites utilizados en la fabricación. Tanto el humo como el olor se disiparán después de aproximadamente, 30 minutos. **NO debería producir un humo espeso y negro.**

Nota: El quemador puede producir bastante ruido al ser encendido. Para eliminar el ruido excesivo, gire el botón de control hasta la posición "OFF" (Bajo). En ese momento, gire el botón hasta el nivel de calor deseado.

Cuando el calentador está encendido (ON):

La pantalla del emisor tendrá un color rojo brillante debido al intenso calor. El color es más visible por la noche.

El quemador mostrará lenguas de llama azules y amarillas. Estas llamas no deberían ser todas amarillas o producirían un humo espeso y negro, lo que indicaría la presencia de una obstrucción del flujo de aire en los quemadores. La llama debería ser azul con puntas rectas y amarillas.

Si se detecta una llama excesivamente amarilla, apague el calentador y consulte la sección "Resolución de Problemas", en la página 14.

Reencendido

Nota: Para su seguridad el Botón de Control no puede girarse a la posición "ON" (ENCENDIDO) - sin antes haber oprimido el Botón de Control en la posición "OFF" (APAGADO) - y luego, hacerlo girar a la posición "ON" (ENCENDIDO).

1. Gire el Botón de Control de Gas a la posición "OFF" (APAGADO).
2. Espere por lo menos 5 minutos para que el gas se disipe antes de tratar de volver a encender el quemador.
3. Repita los pasos 2 y 3 de "encendido" que aparecen en la página anterior.

Apagado

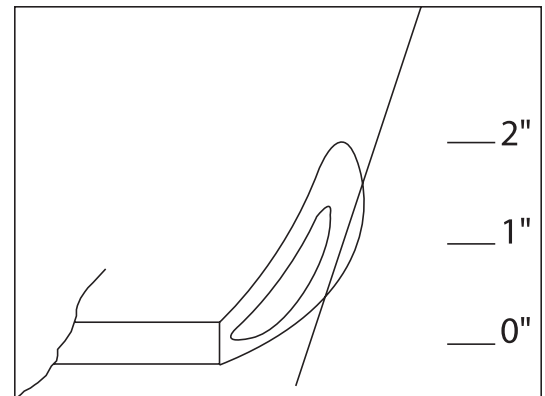
1. Gire el Botón de Control de Gas a la posición "OFF" (APAGADO). Normalmente el quemador hace un leve sonido de "pop" cuando se apaga.
2. Cierre el cilindro de gas.
3. Remueva el Panel de Acceso.
4. Desconecte del regulador la línea de gas.
5. Cierre el Panel de Acceso.

Nota: Después de un tiempo de uso puede observarse un cambio de color en la malla del emisor de calor, lo cual es normal.



ADVERTENCIAS **PARA SU SEGURIDAD**

Tenga cuidado al encender manualmente este calentador. Si mantiene el botón de control apretado por más de 10 segundos, antes de prender el gas, se creará una bola de fuego al encenderse.



Lista de Control de Operaciones

Para que la experiencia con su calentador sea segura y agradable, lleve a cabo la siguiente comprobación antes de cada uso.

Antes de la puesta en marcha

- Estoy familiarizado con todo el manual de usuario y entiendo todas las precauciones indicadas en la sección “La seguridad, lo primero”.
- Todos los componentes están montados correctamente, intactos y listos para su funcionamiento.
- No se ha realizado ninguna alteración.
- Todas las conexiones de gas están seguras y no hay ninguna fuga.
- La velocidad del viento es inferior a los 16 km/h (10 mph).
- La temperatura ambiente es superior a los 5 °C
- El calentador está situado en el exterior (fuera de cualquier recinto).
- Hay una ventilación de aire adecuada.
- El calentador está lejos de gasolina o de cualquier otro líquido o vapor inflamable.
- El calentador está lejos de ventanas, aperturas de admisión de aire, aspersores y cualquier otra salida de agua.
- Mantenga siempre un mínimo de 91 cm de separación por encima del aparato y 61 cm de cada lado con cualquier material combustible.
- El calentador está sobre una superficie dura y nivelada.
- No hay señales de nidos de arañas o insectos.
- Todos los conductos del quemador están libres.
- Todos los conductos de circulación de aire están libres.
- Los niños, mascotas, prendas, materiales y objetos inflamables que puedan resultar dañados por el calor irradiado deberán estar alejados del calentador.
- Los niños y adultos del área han sido alertados de los peligros de las altas temperaturas: especialmente quemaduras y fuego en las prendas.
- Los niños y los adultos del área han sido alertados para que no toquen el motor del calentador durante su funcionamiento y hasta que se haya enfriado.

Tras su funcionamiento

- El control del gas está en la posición OFF.
- La válvula del depósito de gas está en la posición OFF.
- Desconecte la línea de gas.
- El calentador está de pie en una ubicación segura.

Resolución de Problemas

Si es problema es:	Y se da esta solución	Entonces haga lo siguiente
El quemador no se enciende	La presión del gas es baja	Sustituya la botella o el depósito
	Obstrucción en aperturas del quemador	Elimine la obstrucción
	Obstrucción en el tubo de venturi	Limpie el tubo de venturi
	Obstrucción en la línea de gas	Compruebe si hay obstrucciones en la línea de gas
	El botón de control no está en la posición ON	Gire el botón de control a la posición ON
El quemador no se queda encendido	Termopar defectuoso	Sustituya el ODS
	Corrosión en el termopar	Limpie el contacto
	La llama del quemador no toca el termopar	Llame a un técnico certificado
Llama del quemador baja <i>NOTA: El calentador ofrece un rendimiento menor cuando la temperatura no alcanza los 5 °C (40 °F)</i>	La presión del gas es baja	Gire el botón de control a la posición OFF y sustituya la botella o el depósito
	La temperatura ambiente es menor de 5 °C (40 °F) y el depósito está por debajo de 1/4 de su capacidad.	Use una botella o depósito llenos
	Botón de control completamente en ON	Compruebe el quemador y todas las aperturas por si hubiera alguna obstrucción
El emisor brilla de forma desigual	La presión del gas es baja	Sustituya la botella o el depósito
	El calentador no está nivelado	Nivele el calentador
	Quemador inclinado	Enderece el quemador
Acumulación de carbonilla	La base no está sobre una superficie nivelada	Coloque el calentador sobre una superficie nivelada
	El calentador está nivelado	Limpie el quemador
	Suciedad sobre el reflector y el emisor	Limpie el reflector y el emisor
Humo espeso y negro	Obstrucción en el quemador	Elimine la obstrucción y limpie el interior y el exterior del quemador



ADVERTENCIA
PARA SU SEGURIDAD

- **No toque ni mueva el calentador durante al menos 45 minutos después de su uso.**
- **La cúpula está caliente al tacto.**
- **Deje que la cúpula se enfríe antes de tocarla**

Mantenimiento

Para disfrutar de años de rendimiento excepcional de su calentador, asegúrese de realizar las siguientes tareas de mantenimiento de forma regular:

Mantenga las superficies exteriores limpias.

Utilice agua templada y jabonosa para la limpieza. No utilice nunca productos de limpieza inflamables o corrosivos.

Mientras limpia su unidad, asegúrese de mantener seca en todo momento el área que rodea el conjunto del quemador y la llama piloto. No sumerja el conjunto de la válvula de control. Si el control de gas se sumerge en agua, NO lo utilice. Deberá ser sustituido.

El flujo del aire no debe presentar ninguna obstrucción. Mantenga limpios los controles, el quemador y los conductos de aire circulante. Entre las señales de una posible obstrucción se incluyen:

Olor a gas con una punta de la llama extremadamente amarilla

El calentador NO alcanza la temperatura deseada.

El brillo del calentador es excesivamente desigual.

El calentador hace un ruido similar al de un estallido.

Las arañas y los insectos pueden hacer sus nidos en el quemador o en los orificios. Esta peligrosa situación puede dañar el calentador y hacer que su funcionamiento no sea seguro. Limpie los orificios del quemador utilizando un limpiador en forma de tubo. El aire comprimido puede ayudar a eliminar partículas más pequeñas.

Los depósitos de carbonilla pueden causar un riesgo de fuego. Limpie la cúpula y el emisor con agua templada y jabonosa si aparece algún depósito de carbonilla.

Nota: En un entorno de aire con sal (cerca del mar), la corrosión aparece más rápidamente de lo que es habitual. Compruebe frecuentemente si aparecen áreas corroídas y repárelas lo antes posible.

CONSEJO:

Utilice cera de alta calidad para automóviles para ayudar a mantener el aspecto de su calentador. Aplique a las superficies exteriores desde el mástil hacia abajo. No aplique en la pantalla del emisor ni en la cúpula.

Almacenamiento

Entre uso y uso:

Gire el botón de control a la posición OFF.

Desconecte la fuente de PL.

Almacene el calentador de pie en una zona protegida del contacto directo con las inclemencias atmosféricas (como la lluvia, el aguanieve, el granizo, el polvo y la suciedad).

Si lo desea, cubra el calentador para proteger las superficies exteriores y ayudar a evitar las obstrucciones en los conductos de aire.

Nota: Espere hasta que el calentador esté frío antes de cubrirlo.

Durante períodos largos de inactividad o para su transporte

Gire el botón de control a la posición OFF.

Desconecte la fuente PL y lleve la unidad un lugar seguro y bien ventilado en el exterior.

Almacene el calentador de pie en una zona protegida del contacto directo con las inclemencias atmosféricas (como la lluvia, el aguanieve, el granizo, el polvo y la suciedad).

Si lo desea, cubra el calentador para proteger las superficies exteriores y ayudar a evitar las obstrucciones en los conductos de aire.

No deje nunca el depósito de PL expuesto a la luz directa del sol o a una fuente de calor excesiva.

Nota: Espere hasta que el calentador esté frío antes de cubrirlo.

Servicio

Para aprender cómo reparar y conseguir las piezas para sustituir los componentes que estén desgastados, defectuosos o dañados, llame al número de teléfono 1-800-762-1142 para solicitar asistencia técnica envíe un mensaje a la siguiente dirección de correo electrónico:

CustomerService@bluerhino.com. Le rogamos que indique el número de modelo y el número de ID de serie para ofrecerle el mejor servicio.

Estos números pueden encontrarse en una etiqueta en la parte trasera del receptáculo de la válvula.

Precaución: Utilice únicamente piezas de recambio originales. El uso de piezas no autorizadas o la modificación de las piezas anulará su garantía y provocará una situación de riesgo.

Precaución: Deje siempre que el calentador se enfríe antes de realizar cualquier reparación.



ADVERTENCIA **PARA SU SEGURIDAD**

Nunca trate de volver a llenar un envase desechable. El intentarlo puede causar una explosión. Para desecharlo consulte a la compañía local de recolección de la basura o a un centro de reciclado.

No trate de punzar o incinerar el envase.

Garantía

Blue Rhino Sourcing, LLC (“el fabricante”) garantiza al comprador original, al detal, de este calentador que si la unidad se arma y opera de acuerdo con las instrucciones impresas que la acompañan y por un período de dos (2) años a partir de la fecha de compra. Todas las piezas del calentador estarán libres de defectos en material y mano de obra. El fabricante podrá requerir prueba razonable de la fecha de compra. Por lo tanto, usted debe conservar el recibo de venta o la factura. Esta Garantía Limitada estará limitada a la reparación o reemplazo de las piezas que resulten defectuosas en condiciones de servicio y uso normal y las que un examen indique, a satisfacción del fabricante, que están defectuosas. Antes de devolver cualquier pieza, comuníquese con el Departamento de Servicio al Cliente (Customer Service Department) del fabricante. Si el fabricante confirma el defecto y aprueba el reclamo, el fabricante decidirá reemplazar tales partes sin costo alguno. Si se le pide que devuelva las partes defectuosas, los costos de transporte deberán ser prepagados. El fabricante devolverá las partes al cliente con costo de transporte o envío prepagados.

Esta Garantía Limitada no cubre fallas o dificultades de operación debidas a accidente, abuso, mal uso, alteración, empleo en usos inapropiados, instalación defectuosa o mantenimiento o servicio inapropiado o falla en la realización de mantenimiento normal y rutinario del calentador. No cubre tampoco daños de transporte, ni el ajuste normal del quemador, ni daños o reparaciones ocasionados por insectos, aves o animales de cualquier naturaleza ni daños debidos a condiciones climáticas como se explica en este manual del usuario

Además, la garantía limitada no cubre daños al terminado de la unidad, tales como rasguños, abolladuras, descoloridos, oxidaciones y otros daños causados por la intemperie después de la compra de la unidad.

Esta garantía limitada reemplaza cualquier otra garantía. El fabricante no asume ninguna responsabilidad por garantías de productos vendidos por quienes no sean distribuidores o vendedores al detal autorizados. Esta exención de responsabilidad incluye cualquier garantía de comerciabilidad o la garantía de aptitud para un propósito en particular. **EL FABRICANTE NO SE HACE RESPONSABLE POR NINGUNA GARANTIA IMPLICITA INCLUYENDO, SIN LIMITACIONES, LAS GARANTIAS IMPLICITAS DE COMERCIALIZACION Y ADAPTABILIDAD A UN PROPOSITO PARTICULAR. EL FABRICANTE NO ASUME RESPONSABILIDAD ANTE EL COMPRADOR O ANTE CUALQUIER TERCERA PERSONA POR DAÑOS ESPECIALES, INDIRECTOS, PUNITIVOS, INCIDENTALES O CONSECUENCIALES.** El fabricante, además, no asume responsabilidad por garantías implícitas o expresas por defectos de mano de obra causados por terceras personas. Esta garantía limitada le da al comprador derechos legales específicos y el comprador puede tener otros derechos según el lugar donde el comprador o la compradora residan. Ciertas jurisdicciones no permiten limitaciones en cuanto a la duración de una garantía implícita, de manera que esta limitación puede no ser aplicable a usted.

El fabricante no autoriza a ninguna persona o compañía para asumir por el fabricante cualquier otra obligación a responsabilidad relacionada con la venta, instalación, uso, remoción, devolución o reemplazo de este equipo y cualquier representación de esta naturaleza no obliga al fabricante.

Blue Rhino Global Sourcing, LLC
104 Cambridge Plaza Drive
Winston-Salem, North Carolina 27104 EE.UU.
Teléfono (800) 762-1142
Fax las 24 horas: (336) 659-6743
CustomerService@BlueRhino.com

Especificaciones

Certificaciones:

CSA International Requirement 5.90
Canadian National Standard CAN1-2.23-M82

Consumo:

Máxima 11.000 BTU/hora entrada

Alcance calorífico:

Hasta 3 metros de diámetro

Combustible:

Gas propano líquido (PL)

Tamaño de la bombona:

Nominal 9 kg /19 litros
O
14.1 oz (400 gramos)
16.4 oz (465 gramos)

Presión del suministro de gas de entrada:

Máxima – 150 PSI
Mínima – 5 PSI

Presión del colector:

11 pulg. (27,9 cm) columna de agua .

Presión del suministro

0.41 psig (11 pulg. o 27,9 cm columna de agua)

Motor:

IPP E8

Características de seguridad:

Desactivación total del quemador
Conmutador de inclinación

Fabricante:

Blue Rhino Global Sourcing, LLC

Fabricado en:

China

**Si necesita ayuda llame al 1-800-762-1142
No devuelva el artículo al lugar de compra**

Endless Summer 

Blue Rhino Global Sourcing, LLC
A wholly owned subsidiary of Blue Rhino Corporation (NASDAQ-RINO)
104 Cambridge Plaza Drive, Winston-Salem, NC 27104 USA
1.800.762.1142, www.bluerhino.com

© 2003 CPD Associates, All Rights Reserved
Made in China

Blue Rhino Global Sourcing, LLC
Empresa filial y enteramente propiedad de Blue Rhino Corporation
(NASDAQ-RINO)
104 Cambridge Plaza Drive, Winston-Salem, NC 27104 EE.UU.
1.800.762.1142, www.bluerhino.com

© 2003 CPD Associates, Todos los Derechos Reservados
Fabricado en China